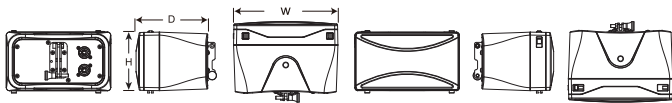


Butterfly 4pro



Dimensions(W×H×D): 215×122×165mm

Specifications

Power	60W
Frequency Response(-10dB)	100Hz-20kHz
Horizontal Coverage	100°
Vertical Coverage	20°
Maximum Calculated SPL/1M(Continuous/Peak)	111dB/117dB
HF	2x1" driver
LF	4" driver,1" voice coil
Impedance	16Ω
Crossover Mode	Passive Crossover
Input Connectors	Speakon 4pin
Cabinet Material	ABS plastic material
Angle adjustment	0°,4°
Cabinet Color	Metal gray
Grille	Aluminium mesh
Mesh Color	Metal gray is standard and default color, Contact Audiocenter for customization
Pole Mount	M10
Speaker Dimensions(W×H×D)	215×122×165mm
Carton Dimensions(W×H×D)	253×160×247mm
Net Weight	2.3kg
Shipping Weight	2.7kg
Technical Support and After-sales Service	Global application support team, EASE GLL Files

Product Overview

Butterfly 4pro consists of 1 pc 4-inch LF driver and 2 pcs soft dome tweeters. The HF have an exclusive T-EYE™ design, and the array layout is assembled in the center front of the speaker. The speaker has a wider frequency response and large near-field coverage, and the sound is especially defined and delicate.

Butterfly 4pro also have a modular design concept, which can be used individually or in combination with multiple speakers. It has good scalability and can flexibly adapt to various environments and applications.

System Configuration

- Artist T2.4V/T4.4V Amplifier
- BrainCore CU

Back Panel

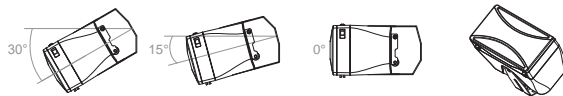


Accessories



Wall Mount / Monitor Bracket
(Standard accessory packed with the speaker)

Dimension (WxHxD):
117x55x141mm



Single Wall Mount

Monitor



Hanging Frame

Dimension (WxHxD):
205x30.5x164.5mm



Line array system



Wall Mount Bracket

Dimension (WxHxD):
205x100x339mm

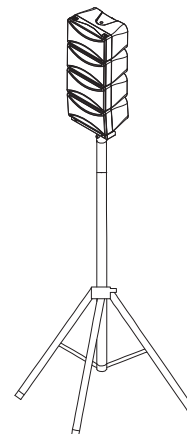


Wall-mount in distributed sound install

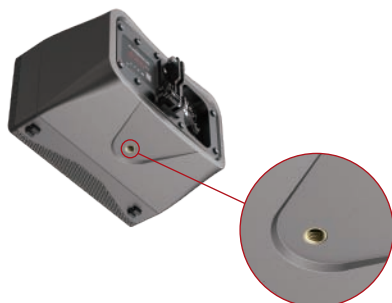


Pole Mount Bracket

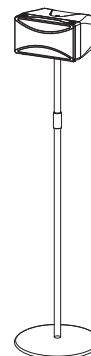
Dimension (WxHxD):
205x92.5x164.5mm



Tripod Pole Mount



Cabinet built -in M10 hole



Mount with Microphone Stand